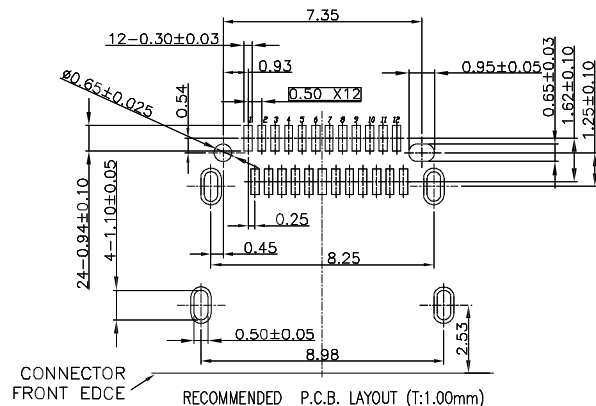
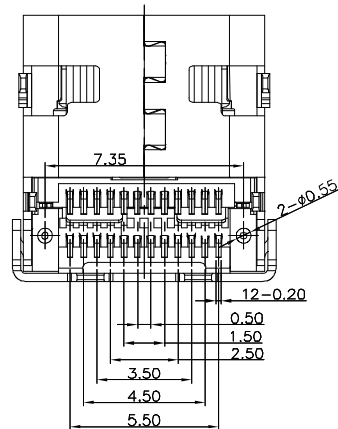
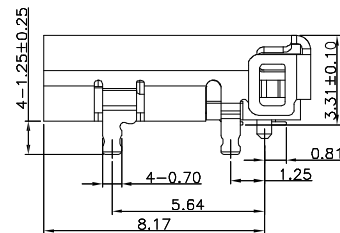
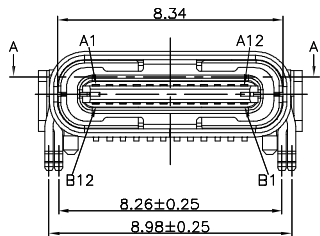
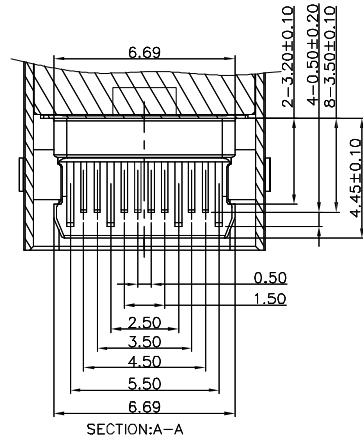
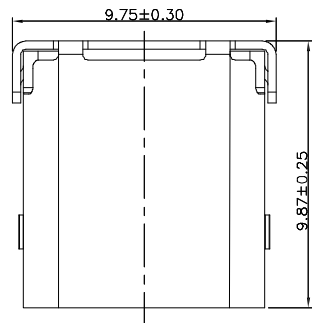
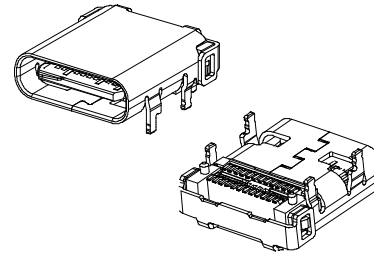


\* RoHS COMPLIANT \*



NOTES:  
SPECIFICATION:

1. CURRENT RATING: 5A MAX
2. Dielectric Withstanding Voltage: 100 VAC
3. TEMPERATURE RANGE: -30 °C ~ 85 °C
4. CONTACT RESISTANCE: 40 MILLIONHM MAX
5. INSULATION RESISTANCE: 100 MEGOHMS MIN.
6. INSERTION FORCE : 5N~20N
7. UNMATING FORCE: 8N~20N
8. DURABILITY: 10,000 CYCLES



USB TYPE-C FULL-FEATURED RECEPTACLE INTERFACE PIN ASSIGNMENTS

PTN	Signal Name	Description	PTN	Signal Name	Description
A1	GND	Ground return	B12	GND	Ground return
A2	SSTXp	Positive half of first SuperSpeed TX differential pair	B11	SSRXp	Positive half of first SuperSpeed RX differential pair
A3	SSTXnL	Negative half of first SuperSpeed TX differential pair	B10	SSRXn	Negative half of first SuperSpeed RX differential pair
A4	Vbus	Bus Power	B9	Vbus	Bus Power
A5	CC1	Configuration Channel	B8	SBU2	Sideband Use (SBU)
A6	Dp1	Positive half of the USB 2.0 differential pair-Position 1	B7	Dn2	Negative half of the USB 2.0 differential pair-Position 2
A7	Dn1	Negative half of the USB 2.0 differential pair-Position 1	B6	Dp2	Positive half of the USB 2.0 differential pair-Position 2
A8	SBU1	Sideband Use (SBU)	B5	CC2	Configuration Channel
A9	Vbus	Bus Power	B4	Vbus	Bus Power
A10	SSRXn2	Negative half of second SuperSpeed RX differential pair	B3	SS1Xn2	Negative half of second SuperSpeed TX differential pair
A11	SSRXp2	Positive half of second SuperSpeed RX differential pair	B2	SS1Xp2	Positive half of second SuperSpeed TX differential pair
A12	GND	Ground return	B1	GND	Ground return

NO.	DESCRIPTION	MATERIAL	REMARKS	QTY
6	接地片	STAINLESS STEEL	No Plated	1PCS
5	中夹片	STAINLESS STEEL	No Plated	1PCS
4	SHELL	STAINLESS STEEL	NI 50u" Plated	1PCS
3	CONTACT	COPPER ALLOY	Au, Sn SEE TABLE NI50U' Plated	1SET
2	CONTACT	COPPER ALLOY	Au, Sn SEE TABLE NI50U' Plated	1SET
1	HOUSING	HIGH TEMPERATURE PLASTIC	BLACK/BLUE	1PCS

DWN	LILY	DATE	2022.07.14	3RD ANGLE PROJECTION	NAME	USB4 Gen3 TYPE C 24PIN母座雙貼
CHKD	ANDY	DATE	2022.07.14		CAT. NO.	JCU-JDR-USCF072-S008
APVD	JON	DATE	2022.07.14	UNIT: MM	DWN.NO.	KQ-JDR-USCF072-S008
JKCR Electronics Co., Ltd.						001

UNLESS OTHERWISE SPECIFIED, TOLERANCE ON DECIMAL: ±0.3